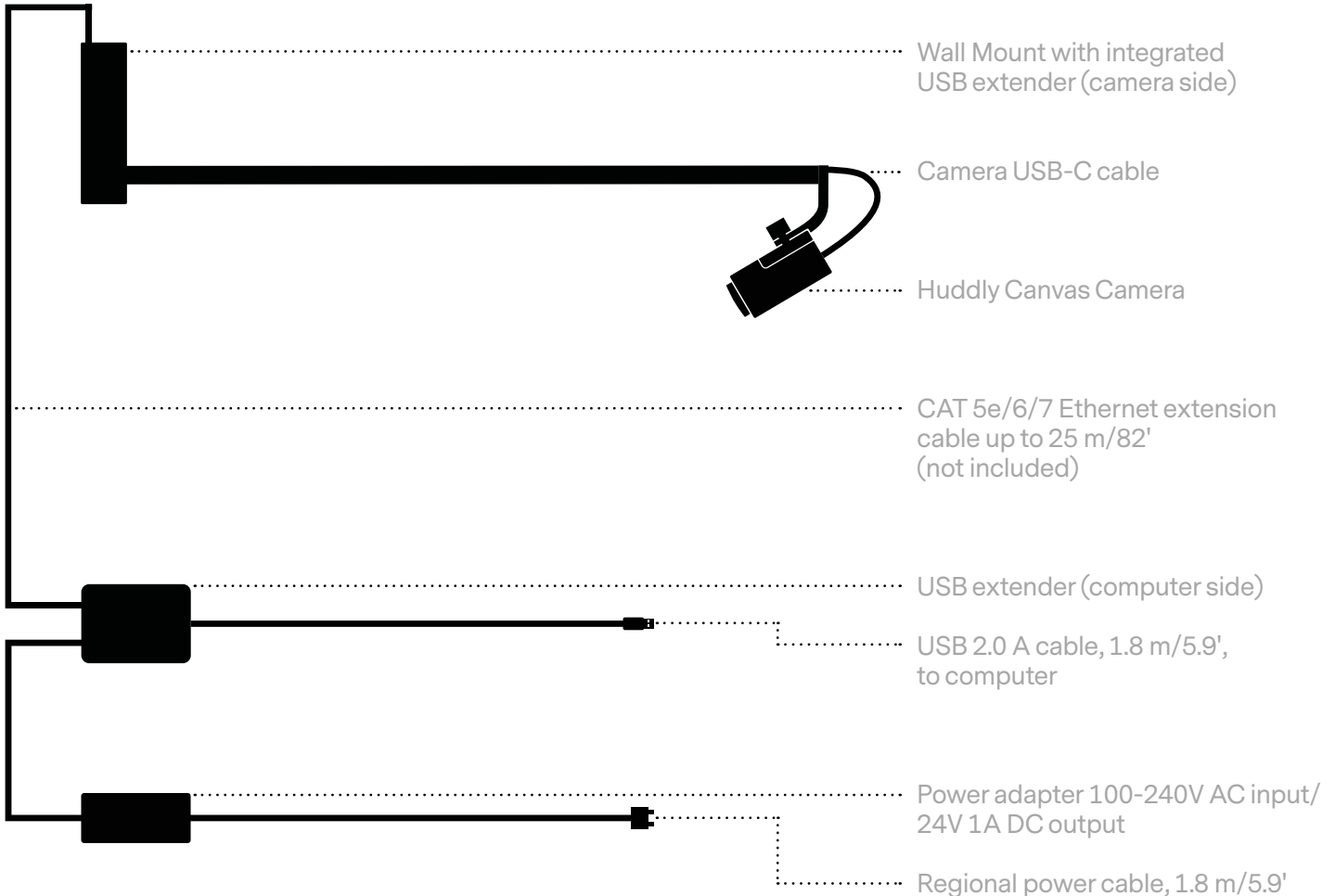


Huddly Canvas

Spec sheet

AV-Concept ApS
Professionelt AV-Udstyr



Connectivity

Canvas connects to a meeting room device via a USB-A port

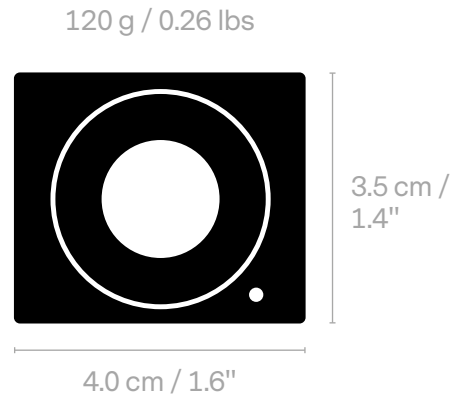
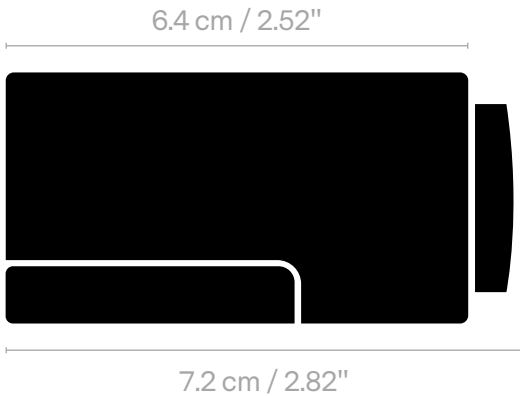
The USB extender allows the product to be installed in any size room. Requires a CAT 5e/6/7 cable up to 25 m (not included) and connection to power outlet. 100-240V power adapter with regional power cable included.

Learn more about the Icron USB extender:

<http://www.icron.com/pdf/usb-2-0-ranger-2311-datasheet.pdf>

Huddly Canvas

Camera specifications



Camera software

- Canvas whiteboarding enhancement technology
- Precise scaling and dewarping
- Automatic white balance and color correction
- Optical aberration correction
- Low latency whiteboard image processing

Hardware Specifications

- Aluminium unibody construction
- High-performance video processing engine
- Neural compute engine
- Embedded mounting hinge

Color

Matte Black

Image Sensor

- 12 Megapixels 1/2.3" CMOS Sensor
- 1080p Full HD
- 720p HD

Output

16:9 aspect ratio output

Connection Types

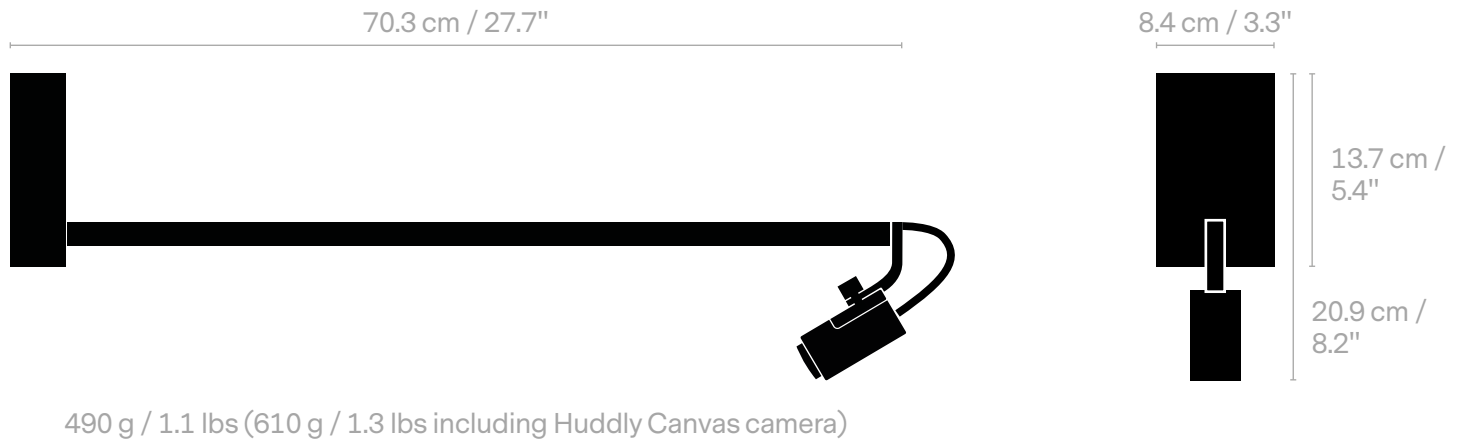
- USB Type-A connector
- MJPEG support over USB 2 and USB 3

Optics

- Ultra-wide angle glass optics
- f/2.8 aperture
- Horizontal field of view 120°
- Supports whiteboards up to 2 x 1.2 m/6' x 4'

Huddly Canvas

Wall mount specifications



Hardware Specifications

Aluminium construction

Integrated USB extender (camera side).

Extends USB connection over Ethernet

USB-C to A Huddly IQ Cable

Installation

Mount 14 cm/5" above any whiteboard,
up to 2 m x 1.2 m/6' x 4'

Requires four screws suitable for your wall
type, 5 mm diameter, or #10 screw (not
included)

Color

Matte Black

Huddly Canvas

Whiteboard enhancement

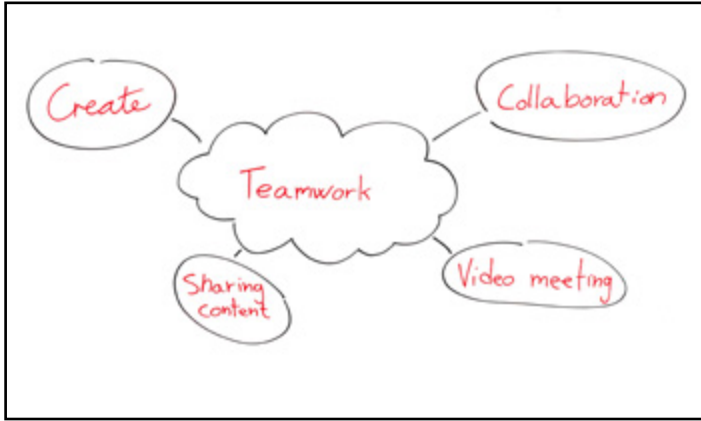


Image Processing Pipeline

- Efficient and flexible image scaling
- Balanced optical aberration correction
- Automatic white balance
- Color correction
- Well-tuned sharpening filters
- Noise reduction with spatial noise filter

Motion Estimation

Depending on your room system and settings, the camera can sense motion and automatically turn on when the whiteboard is in use

Whiteboard Perspective Correction

The camera automatically perspective corrects the whiteboard image

AI Whiteboard Detection

The camera automatically locates the position of the whiteboard

Whiteboard Auto-Crop

The camera zooms in to the whiteboard to give you a clear image of the content

AI Whiteboard Enhancement

- Enhances text visibility and readability
- Boosts marker colors
- Removes shadows, gloss, and visual noise
- Hides people standing in front of the whiteboard